

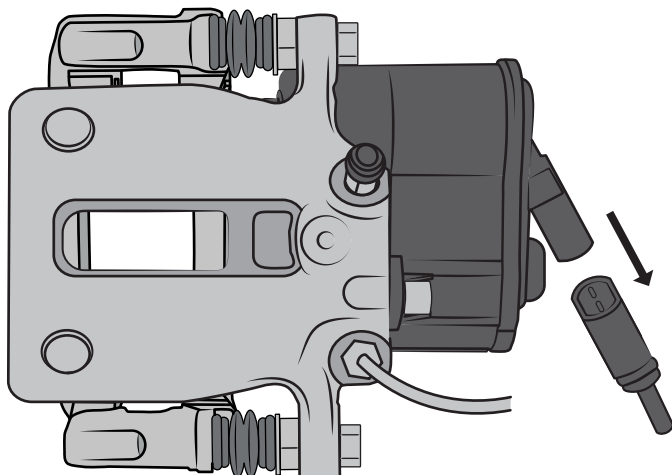
Electric park brake (EPB) - emergency release

- i** The images in this service information are examples and are for illustration purposes only.

NOTE

Damage to the actuator.

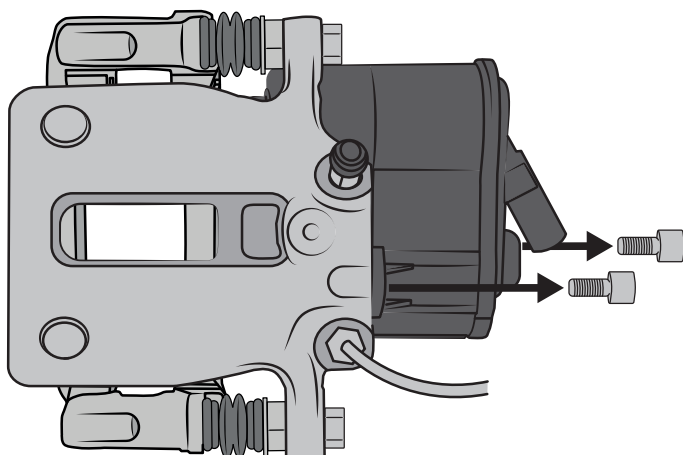
- ▶ Do not connect any external power sources to the electric park brake.



Remove the connector

- Disengage the connector with a suitable tool
- Remove the connector from the actuator

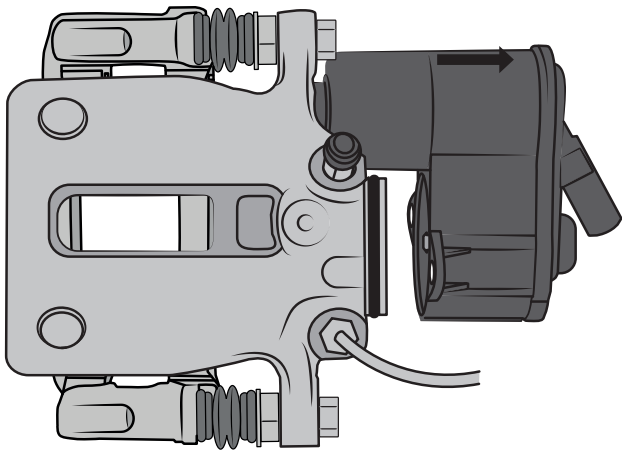
- i** For EPB systems with integrated cable: Separate the plug connection on the vehicle cable harness. This is generally located in the corresponding wheel housing.



Remove the fixing screws

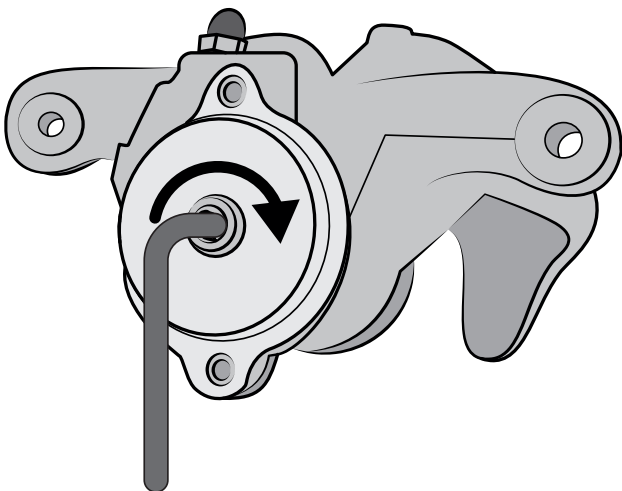
- Release and remove both fixing screws of the actuator
- Release and remove any cable holders





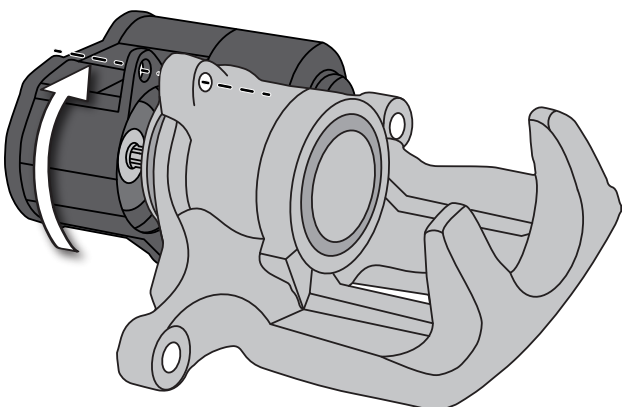
Remove the actuator

- Pull the actuator from the brake caliper in the direction of the arrow



Open the brake

- Use a suitable tool to turn the spindle clockwise until the brake is free.



Mount the actuator

NOTE

Damage to the thread on the brake caliper.

- ▶ Insert and tighten the fixing screws by hand.

- Insert the actuator, ensuring correct seating of the sealing ring

i The motor may have to be rotated slightly during installation so actuator and spindle engage.

- Tighten the screws with the torque specified by the vehicle manufacturer
- Install the connector again
- Take the vehicle to a specialist workshop for further diagnosis

